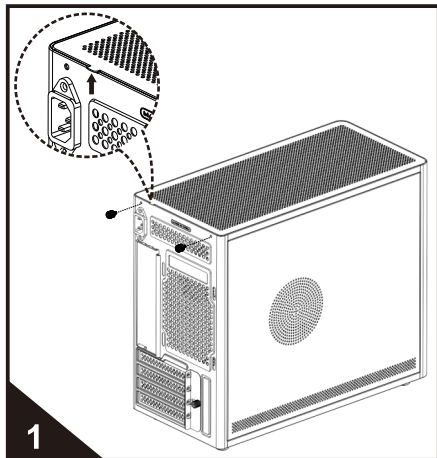




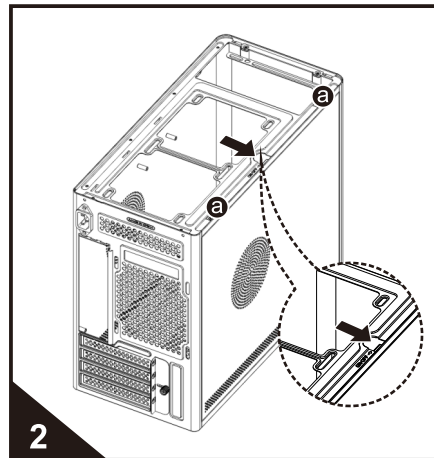
## 1 Disassembly of top panel and side panel

Disassembly of top panel



1 Unscrew the 2 screws on the rear panel as shown in the illustration, push it up to open the top panel

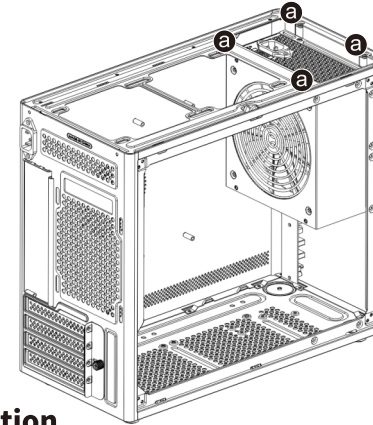
Disassembly of side panel



2 unscrew the 2 screws at "a" positions, then push the side panel outward from the middle hole as shown in the illustration

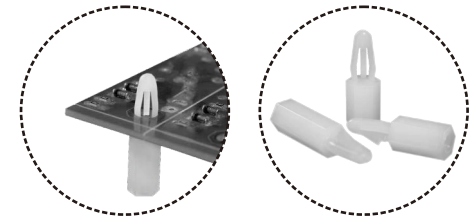
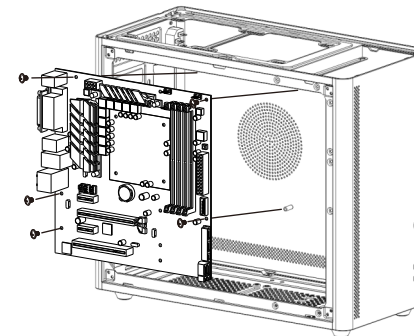
## 2 PSU installation (support standard ATX PSU)

Install PSU in the positions as shown in the illustration, then fix it by 4 screws at "a" positions



## 3 M/B installation

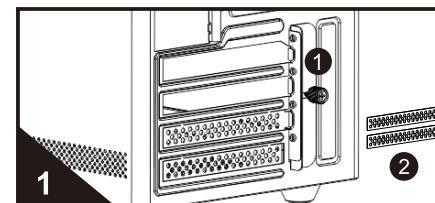
Put M/B in the case and align the screw holes, then fix M/B by screws as shown in the following illustration (this case support micro ATX M/B and ITX M/B) (different M/B has different installation characteristics, please refer to the user manual of your M/B before installation)



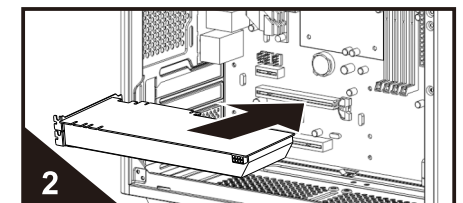
★ If there is no screw pillar under any hole of the motherboard, please take out the plastic fixing pillar from accessories bag and insert it into the hole of the motherboard to hold up the motherboard

## 4 VGA card installation

- 1 Unscrew the screws of the fastening bar of the PCI slot covers, remove the fastening bar, then break off PCI slot covers
- 2 Insert VGA card into the slot of M/B according to the arrow direction; Fix VGA card by screws

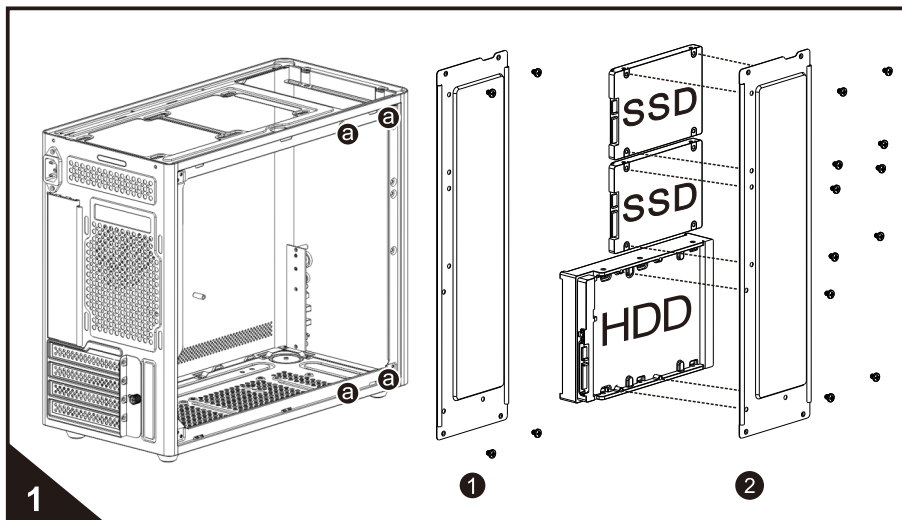


1 Unscrew the screws of the fastening bar of the PCI slot covers, remove the fastening bar, then break off PCI slot covers



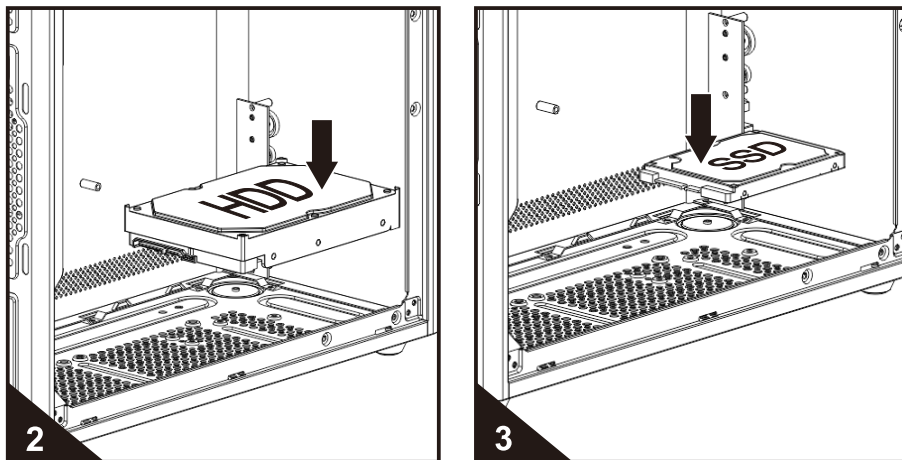
2 Insert VGA card into the slot of M/B according to the arrow direction

## 5 HDD / SSD installation (Support:HDD\*2+SSD\*2; OR HDD\*1+SSD\*3)



- ① Unscrew the 4 screws of HDD/SSD bracket, take it out from the chassis. Then fix 2.5" SSD and 3.5" HDD on the bracket by screws as shown in the above illustration(the bracket can be installed with SSD\*2+HDD\*1)
- ② Re-install the bracket with HDD / SSD in the chassis, fix it by screws at "a" positions

Bottom panel can be installed with 3.5"HDD\*1 or 2.5" SSD\*1 (Remark: bottom panel can only support 1x12cm fan if it was installed with HDD/SSD )

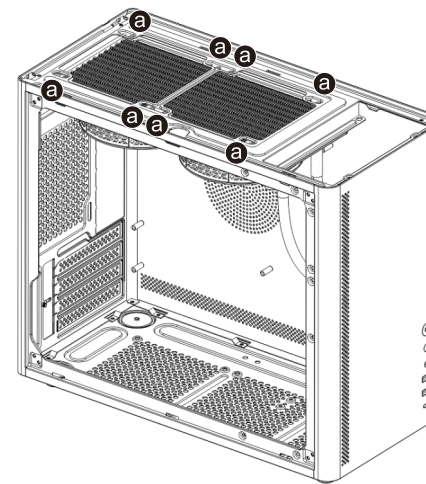


Put 3.5" HDD on the position as shown in the illustration, fix HDD by screws from the bottom (Remark: bottom panel can only support 1x12cm fan if it was installed with HDD/SSD )

Or, put 2.5" SSD on the position as shown in the illustration, fix SSD by screws from the bottom (Remark: bottom panel can only support 1x12cm fan if it was installed with HDD/SSD )

## 6 Water cooling kit installation (support 240mm water cooling kit on the top)

Put water cooling kit on the top as shown in the illustration, align screw holes, then fix it by screws at "a" positions



## 7 Cooling device compatibility

- Top panel: 2\*12cm fan or 1\*240 water cooling kit
- Rear panel: 1\*12cm fan
- Bottom panel: 2\*12cm fan (bottom panel can only support 1\*12cm fan if it was installed with HDD / SSD)